

## Built-in Wood Heaters

### INSIST ON A JARRAHDALE

- Australian made and owned since 1981
- Heavy duty, all solid-steel construction
- Advanced-burn Firebox for excellent heat output with lower emissions
- 10-year, manufacturer direct warranty
- Built to comply with Australian Standards



*Australia's Natural Choice  
in Home Heating*



# Convection Wood Heaters

*Convection Wood Heaters create heat by circulating warm air around the room. As warm air rises from the firebox, cooler air is drawn-in. This in turn is warmed by the stove and rises to follow in a continuous cycle.*

*A Convection Wood Heater provides evenly distributed, comfortable warmth throughout the home. All Jarrahdale Built-In Wood Heaters offer reliable warmth through convection heating.*

## RHAPSODY BUILT-IN



**Firebox Size (mm):** 590 W x 600 H x 330 D  
**Fascia Sizes (mm):** 790 W x 710 H or 990 W x 810 H  
**Heating Area:** Up to 185sq/m\*  
**Firebox Capacity:** Logs up to 450mm  
**Weight:** 129kg  
**Features:** Two-speed Fan

The Rhapsody Built-In is perfect for offering evenly distributed warmth in small to medium sized homes, such as a large 3-bedroom or small 4-bedroom house. It is available in a choice of two fascia sizes, allowing you to select the size that best suits the scale of your fireplace area and home.

Better still, since all of our built-In wood heaters are locally manufactured and made-to-order, Jarrahdale Heating can customise your heater to ensure a precise fit.

## CONVECTOR BUILT-IN



**Firebox Size (mm):** 650 W x 600 H x 450 D  
**Fascia Size (mm):** 990 W x 750 H  
**Heating Area:** Up to 232sq/m\*  
**Firebox Capacity:** Logs up to 450mm  
**Weight:** 113kg  
**Features:** Two-speed Fan

Our latest integrated wood heater design is the Convector Built-In. Designed with a one-piece, linear fascia and discreet, flush fittings it offers a sleek and minimalistic appearance to suit contemporary homes. Yet don't be deceived by its unpretentious appearance – this wood heater boasts impressive heating abilities, warming areas of up to 232sq/m, thanks to its over-sized firebox, large firebox opening and 2-speed fan.

Customisations can also be made to this wood heater if a different size or configuration is required.

## INNOVATOR BUILT-IN



**Firebox Size (mm):** 715 W x 600 H x 330 D  
**Fascia Sizes (mm):** 920 W x 710 H or 1120 W x 810 H  
**Heating Area:** Up to 232sq/m\*  
**Firebox Capacity:** Logs up to 530mm  
**Weight:** 152kg  
**Features:** Two-speed Fan

A striking wood heater featuring a wide, rectangular firebox and large glass door, offering entrancing views of the roaring fire. Heating up to 232sq/m it is an ideal option for a medium-sized family home.

The Innovator Built-In features a two-speed fan allowing heated air to be distributed more efficiently and is available in a choice of two fascia sizes, allowing you to select the size that best suits the scale of your fireplace area and home. Customisations can also be made if a different size or configuration is required.

## JUMBO BUILT-IN



**Firebox Size (mm):** 715 W x 600 H x 450 D  
**Fascia Sizes (mm):** 920 W x 710 H or  
 1120 W x 810 H  
**Heating Area:** Up to 280sq/m\*  
**Firebox Capacity:** Logs up to 580mm  
**Weight:** 175kg  
**Features:** Two-speed Fan

Our largest integrated wood heater offering excellent heating even in large, open plan areas or homes with several rooms. It features a two-speed fan for even heat distribution and offers a grand appearance with a wide, rectangular firebox and large glass door.

The Jumbo Built-In is available in a choice of two fascia sizes, allowing you to select the size that best suits the scale of your fireplace area and home. Customisations are also available if a different size or configuration is required.

## TWO-DOOR INNOVATOR BUILT-IN



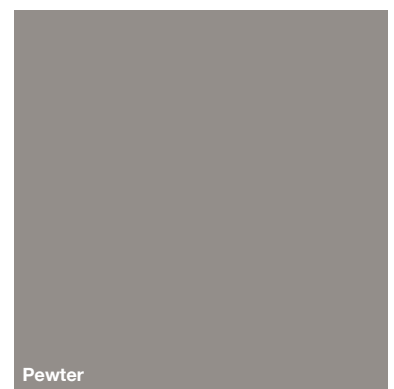
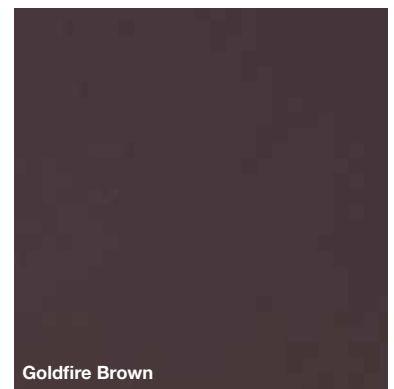
**Firebox Size (mm):** 715 W x 600 H x 795 D  
**Facia Size (mm):** 920 W x 710 H  
**Heating Area:** Up to 280sq/m\*  
**Firebox Capacity:** Logs up to 580mm  
**Weight:** 202kg

A double-sided wood heater designed for installation into a fireplace cavity, between two adjoining rooms. It features an in-built fascia on both sides of the heater, each complete with a door and glass viewing panel. This allows you to view and stoke the fire from either side. With its attractive façade, grand presence and large firebox, this heater efficiently heats two, separate living spaces with convenience and charm.

Customisations are also available if a different size or configuration is required.

## SURFACE FINISHES

Jarrahdale Built-In Wood Heaters are available in a range of four attractive surface finishes. Every heater is heat-painted onsite at our manufacturing facility using Stove Bright® high temperature paint. This ensures our heaters maintain brilliant colour, even in excessive heat.



## COMMON CUSTOMISATIONS

### Flue Placement

Move the standard flue centre forward or back, to line-up with your existing chimney centre.

### Facia Size

If the standard fascia size are not ideal for your existing fireplace opening, we can manufacture a custom-fascia to fit.

### Fan Power Cord

Position the fan power cord to suit the location and distance of the closest power point. The fan power cord can protrude from the left or the right side of the heater and can be extended to avoid using extension leads.

### Chimney Cover

All chimneys are different and sometimes the standard chimney cover is too small. We will manufacture the correct chimney cover to suit your home.

\*The heating area published is an approximate, designed to serve as a guide only and is based on 2.4-metre-high ceilings.





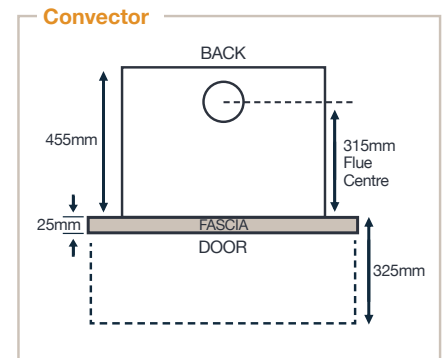
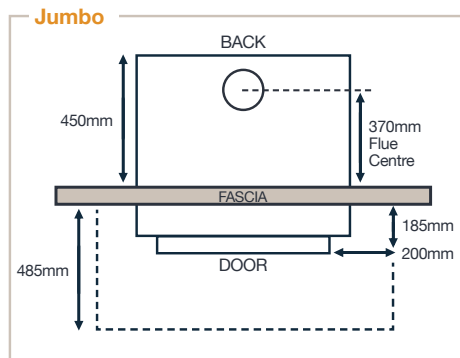
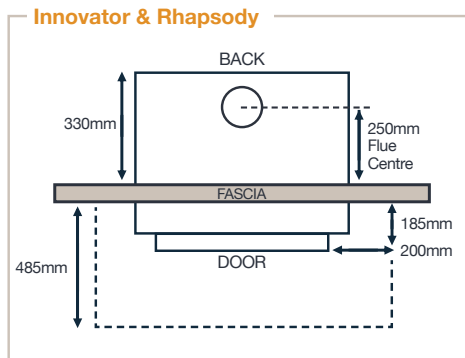
**Options & Accessories**

- Chrome plated door
- Left-hand door opening
- Child safety fence
- Wood storage unit
- Floor hearth
- Tool kit

**STANDARD INSTALLATION REQUIREMENTS**

**Single Fascia Models:**

The diagrams below illustrate the necessary minimum clearances required for the correct installation of all Jarrahdale Built-In Wood Heaters, featuring a single fascia, into a masonry or non-combustible fireplace cavity. This includes minimum cavity dimensions and hearth requirements.

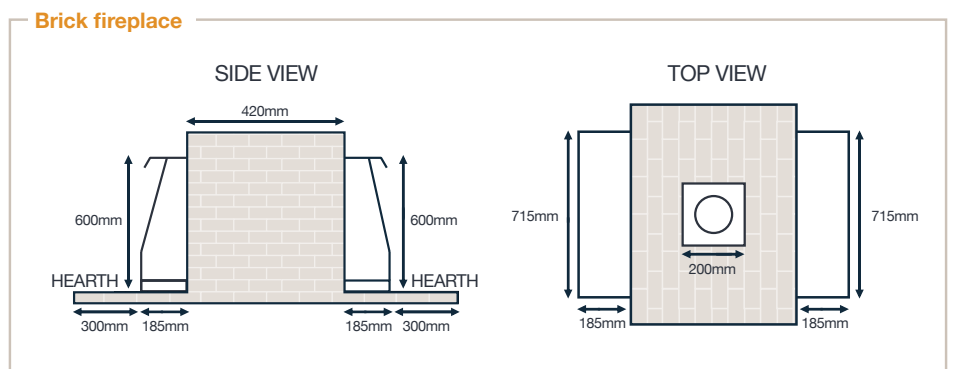
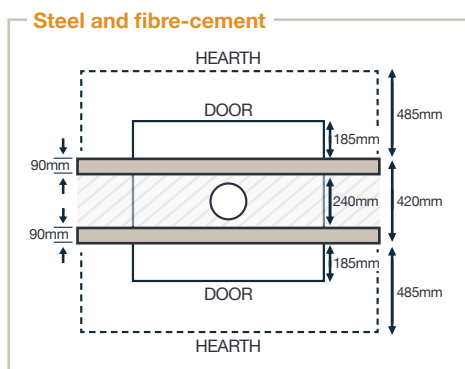


**Two-door Innovator:**

The following diagrams illustrate the necessary minimum clearances required for correct installation of the built-in, Jarrahdale Two-door Innovator, into either a brick fireplace or a steel-frame\* and fibre-cement encasing. This includes minimum cavity dimensions and hearth requirements.

If the wood heater is to be installed onto combustible flooring such as carpet, vinyl or cork, a hearth is needed with a clearance of 300mm to the front and 200mm either side of each door.

**\*Important Note:** Where constructing a framing system as an alternative to using brick, solid-steel & fibre cement sheeting must be used in the construction of such framing. This is an essential safety requirement.



**AVAILABLE FACTORY-DIRECT & AUSTRALIA-WIDE THROUGH A CERTIFIED DISTRIBUTOR**



SHOWROOM: 17 Malcolm Rd, Maddington WA  
 Phone: **08 9493 6512** | Online: [www.jhc.com.au](http://www.jhc.com.au)

Jarrahdale Heating reserves the right to alter designs and specifications due to on-going product improvements

**Certified Dealer:**

